

4

3

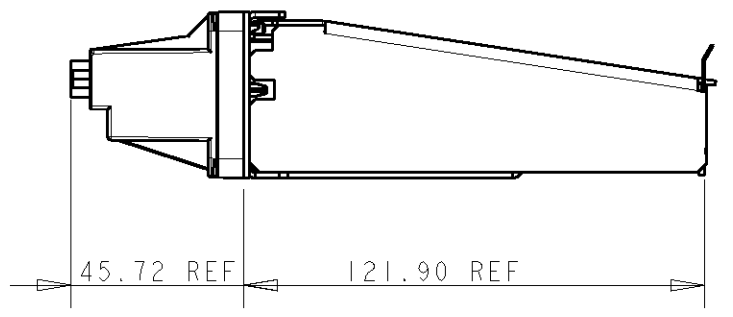
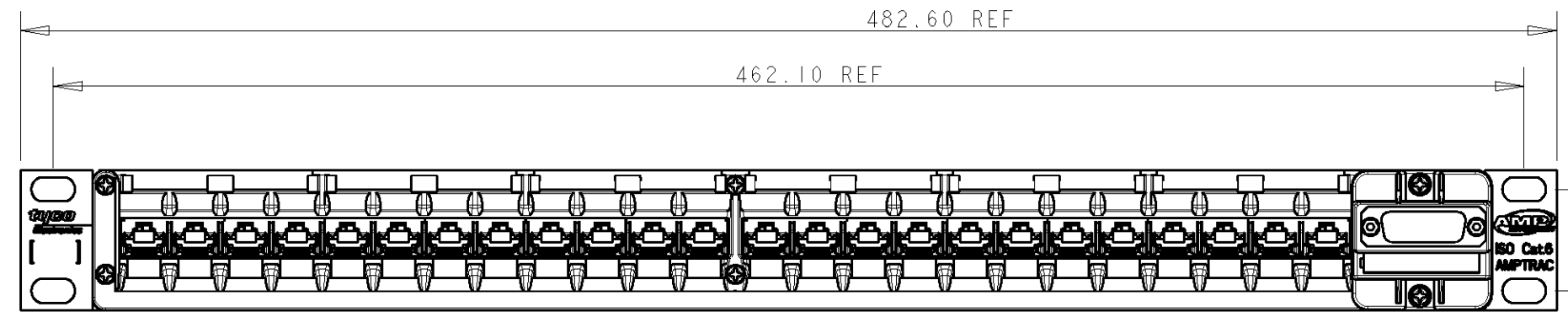
2

1

THIS DRAWING IS UNPUBLISHED. RELEASED FOR PUBLICATION 20
 © COPYRIGHT 20 BY TYCO ELECTRONICS CORPORATION. ALL RIGHTS RESERVED.

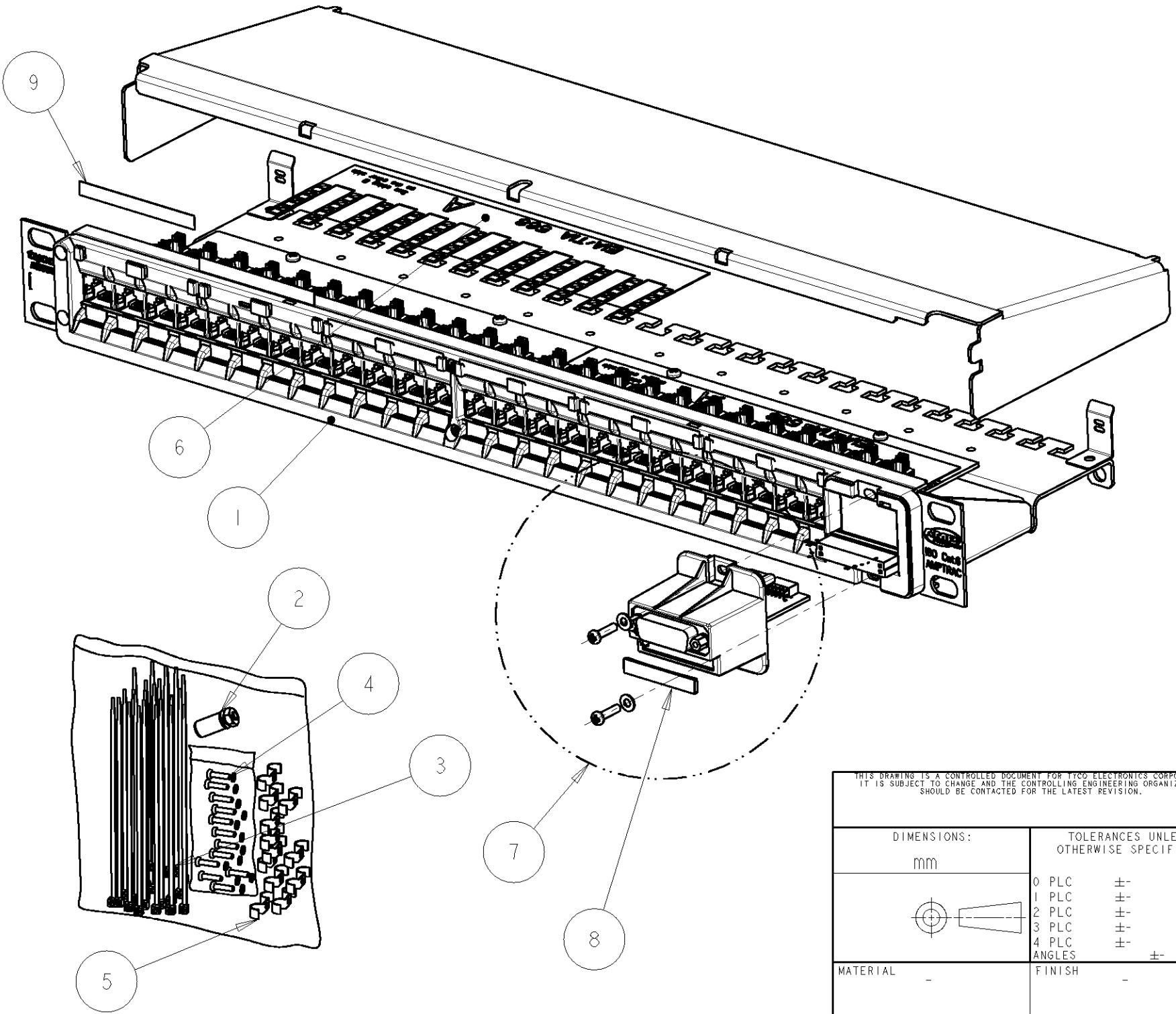
LOC 1K DIST 2

| REVISIONS | | | | | |
|-----------|-----|---------------|-----------|-----|------|
| P | LTR | DESCRIPTION | DATE | DWN | APVD |
| | D | ESE0-0078-05 | 31MAR2005 | RM | JS |
| | E | ECR-05-006195 | 05JUL2005 | RM | JS |
| | F | ECR-07-010311 | 06-Aug-07 | JG | JS |



31.80 REF

1. PACKAGING:
 ONE BOX WITH ONE PANEL.
 PANEL PRE-ASSEMBLED INTO POLYBAG INCLUDING
 SCREW-SET AND APPLICATION SPEC.



| SEE VIEWS ON SHEET 2 | AS SHOWN IN SHEET 1 | DESCRIPTION | NOTES | ITEM |
|-----------------------|------------------------|---------------------------------|-------------------|------|
| - | 6 | PORT LABEL | | 9 |
| - | 1 | I/O LABEL | | 8 |
| - | 1 | INTERCHANGEABLE OUTPUT CASSETTE | HD-22+AMPMODU 2mm | 7 |
| 2 | 2 | COLOR CODE GUIDE LABEL | | 6 |
| 12 | 12 | CABLE CLAMP | | 5 |
| 12 | 12 | SCREW M3x12 | | 4 |
| 25 | 25 | CABLE TIE | | 3 |
| | 1 | GROUND CLAMP KIT | | 2 |
| 1 | - | PATCH PANEL | GREY RAL 7035 | 1 |
| - | 1 | PATCH PANEL | BLACK RAL 9005 | |
| -3 | -2 | DESCRIPTION | | |
| AMPTRAC READY IN GREY | AMPTRAC READY IN BLACK | AMPTRAC I/O FRONT +REAR | | |

THIS DRAWING IS A CONTROLLED DOCUMENT FOR TYCO ELECTRONICS CORPORATION IT IS SUBJECT TO CHANGE AND THE CONTROLLING ENGINEERING ORGANIZATION SHOULD BE CONTACTED FOR THE LATEST REVISION.

| | | | | | |
|----------------|---|------------|----------|----------------------------|---|
| DIMENSIONS: mm | TOLERANCES UNLESS OTHERWISE SPECIFIED: 0 PLC ± 1 PLC ± 2 PLC ± 3 PLC ± 4 PLC ± ANGLES ± | MATERIAL - | FINISH - | DWN J.GATNAU 28-Apr-03 | tyco electronics AMP España, S.A. Barcelona. Spain. |
| | | | | CHK A.PUELL 28-Apr-03 | |
| | | | | APVD J.SANABRA 03-Aug-04 | |
| | | | | PRODUCT SPEC 108-22138 | NAME PATCH PANEL Cat. 6 24 PORTS SHIELDED, WITH AMPTRAC APPLICATION |
| | | | | APPLICATION SPEC 114-93001 | SIZE A3 CAGE CODE 00779 DRAWING NO C-1644042 RESTRICTED TO - |
| | | | | WEIGHT - | SCALE 1:2 SHEET 1 OF 2 REV F |
| | | | | CUSTOMER DRAWING | |

4

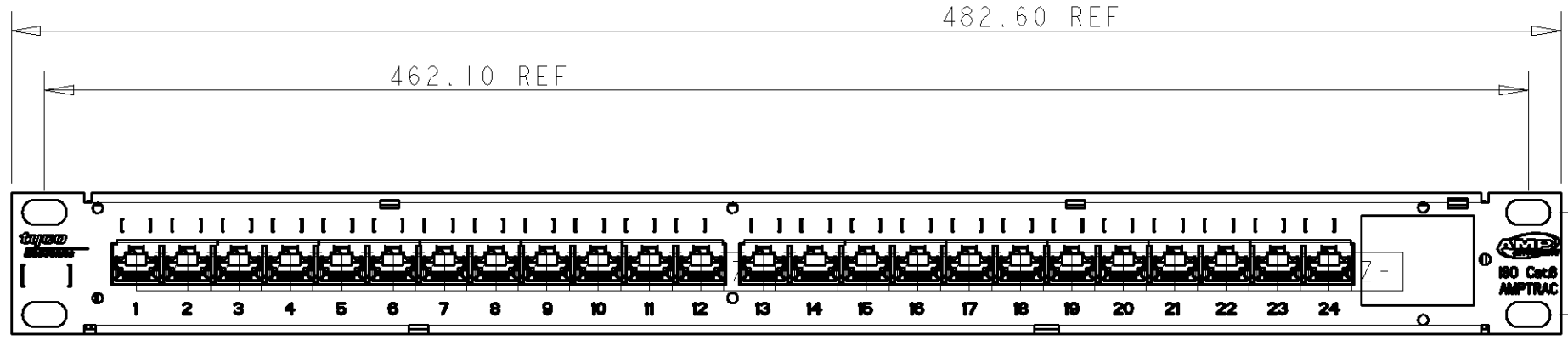
3

2

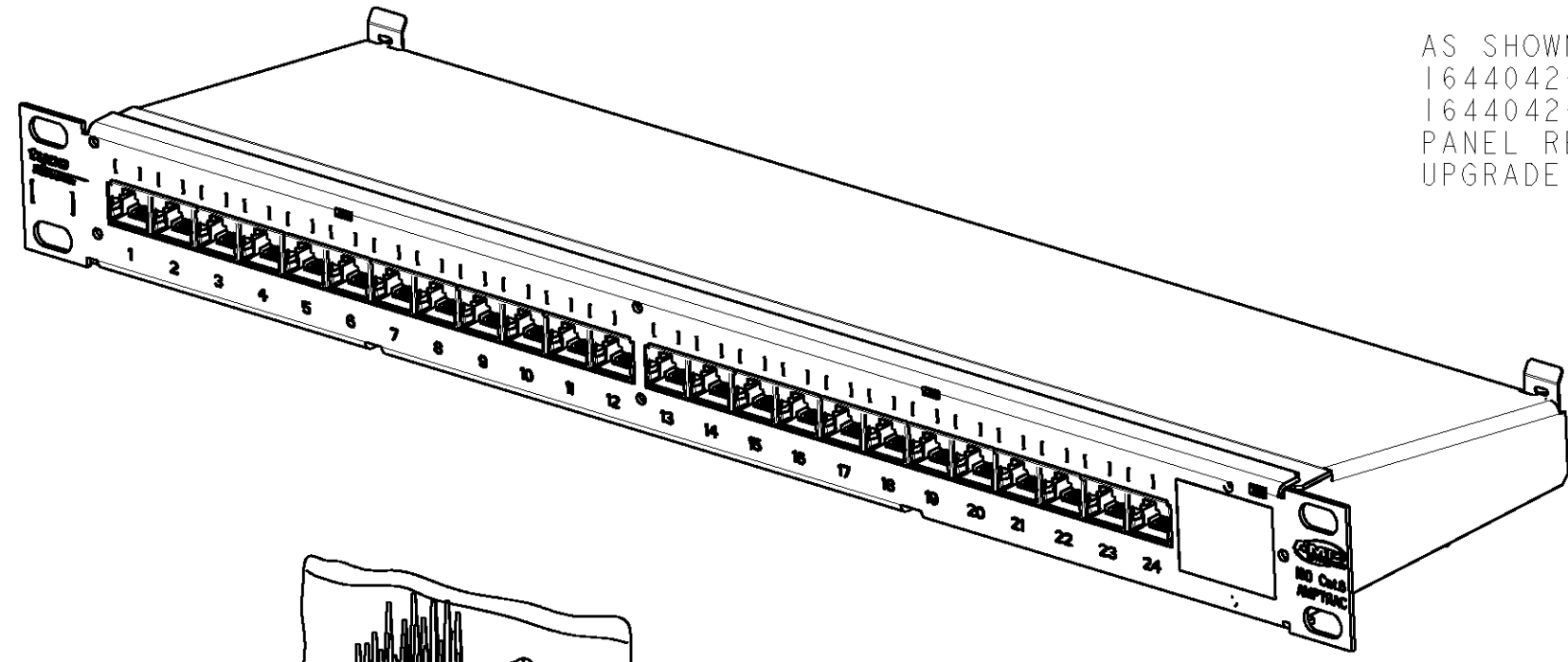
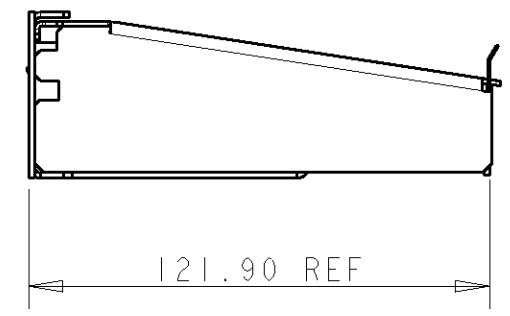
1

THIS DRAWING IS UNPUBLISHED. RELEASED FOR PUBLICATION 20
 © COPYRIGHT 20 BY TYCO ELECTRONICS CORPORATION. ALL RIGHTS RESERVED.

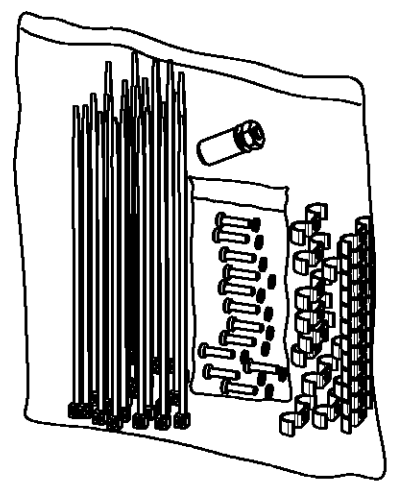
| LOC | DIST | REVISIONS | | | | |
|-----|------|-------------|-------------|-----|------|--|
| P | LTR | DESCRIPTION | DATE | DWN | APVD | |
| 1K | 2 | - | SEE SHEET 1 | - | - | |
| | | | | | | |
| | | | | | | |



31.80 REF



AS SHOWN
 1644042-2
 1644042-3
 PANEL READY FOR AMPTRAC UPGRADE
 UPGRADE KIT PN 1711148-1 (OR CONTACT YOUR SALES REPRESENTATIVE)



SCALE 4:5

| | | | | |
|---|---|--|--|--|
| <small>THIS DRAWING IS A CONTROLLED DOCUMENT FOR TYCO ELECTRONICS CORPORATION IT IS SUBJECT TO CHANGE AND THE CONTROLLING ENGINEERING ORGANIZATION SHOULD BE CONTACTED FOR THE LATEST REVISION.</small> | | DWN J.GATNAU 28-Apr-03 CHK A.PUELL 28-Apr-03 APVD J.GATNAU 04-Aug-04 | tyco Electronics | tyco electronics AMP España, S.A. Barcelona, Spain. |
| DIMENSIONS: mm | TOLERANCES UNLESS OTHERWISE SPECIFIED: 0 PLC ± 1 PLC ± 2 PLC ± 3 PLC ± 4 PLC ± ANGLES ± | PRODUCT SPEC 108-22138 APPLICATION SPEC 114-93001 | NAME PATCH PANEL Cat. 6 24 PORTS SHIELDED, WITH AMPTRAC APPLICATION | |
| MATERIAL - | FINISH - | WEIGHT - | SIZE A3 CAGE CODE 00779 DRAWING NO ©=1644042 | RESTRICTED TO - |
| CUSTOMER DRAWING | | | SCALE 1:2 | SHEET 2 OF 2 |
| | | | | REV F |